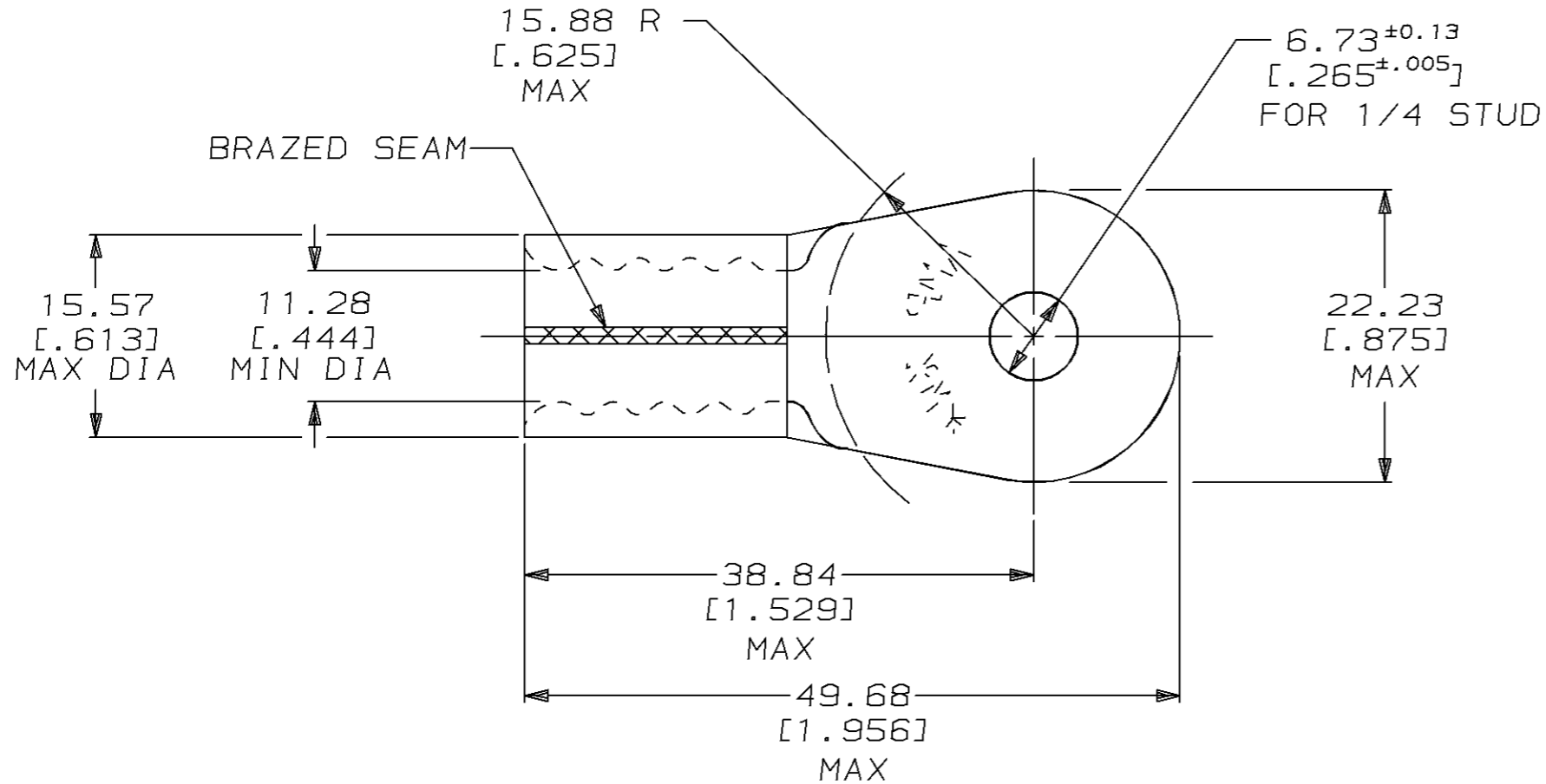


THIS DRAWING IS UNPUBLISHED. RELEASED FOR PUBLICATION, 19 .
 © COPYRIGHT 19 BY AMP INCORPORATED. ALL INTERNATIONAL RIGHTS RESERVED.

LOC	DIST	P	F	REVISIONS				
G	14			ZONE	LTR	DESCRIPTION	DATE	APPD
					J	REVISED PER 0720-0465-95	03MAR95	OKS AJK



- ① TIN PL 0.00254 [.000100] MIN THK PER MIL-T-10727
- ② GOLD PL 0.00127 [.000050] MIN THK PER MIL-G-45204 OVER NICKEL PL 0.00076 [.000030] MIN THK PER QQ-C-290
- ③ SILVER PL 0.01270 [.000500] MIN THK PER QQ-S-365
- ④ SEE RESTRICTED CUSTOMER DRAWING 2-36915-3

OBSOLETE OBSOLETE	④	-	COPPER ASTM B-152 1.78 ± 0.08 [.070 ± .003] ANNEALED	2-36915-3
	③	-		2-36915-2
	②	-		2-36915-1
	①	-		36915
		FINISH	MATERIAL	PART NO
DO NOT SCALE PRINT. UNLESS SPECIFIED DIMENSIONS IN mm [INCHES] TOLERANCES ON: 2 PLC DEC ± 0.20 [.008] 3 PLC DEC ± - ANGLES ± -		DR 7/2/91 DK SCHRUM	AMP AMP Incorporated Harrisburg, PA 17105-3608	NAME TERMINAL, RING TONGUE, SOLISTRAND™ WIRE SIZE: 50.0mm ² [1/0] AWG
MATERIAL		CHK 8/15/91 RD HEIM		
SEE TABLE		APPD 8/15/91 AJ KAUFMAN		
FINISH		APPD 8/15/91 AJ ADELMANN		
SEE TABLE		PRODUCT SPEC -	APPLICATION SPEC -	WEIGHT -
		SIZE B	CAGE CODE 00779	DRAWING NO 36915
		SCALE 2:1	SHEET 1 OF 1	

METRIC